

Z70 Wizard

your better option

The Z70 Wizard provides clear radiographs with reduced times of exposure all with value pricing.

The tube head is 70 kVp and 8 mA. Greater power than most of the competition.

Very tight and accurate counter balance arm prevents drifting, so it stays in place where positioned.

Compatible with film, PSP plate systems and Dental Sensors.



Z70 Wizard Dental X-Ray Veterinary Unit

Diagnosis through high-resolution imaging

Made with tubular steel and strong aluminum structure, Diagnostic Imaging System Z70 Wizard allows smooth and accurate movements with a great mobility.

The unit has been developed to produce X-rays of excellent quality with high image definition and lower exposure time for the pet.

Diagnostic Imaging System units provide the highest degree of safety for both operator and pet, complying with international quality and radiological safety standards. Easy assembly and setup. Ships via UPS.

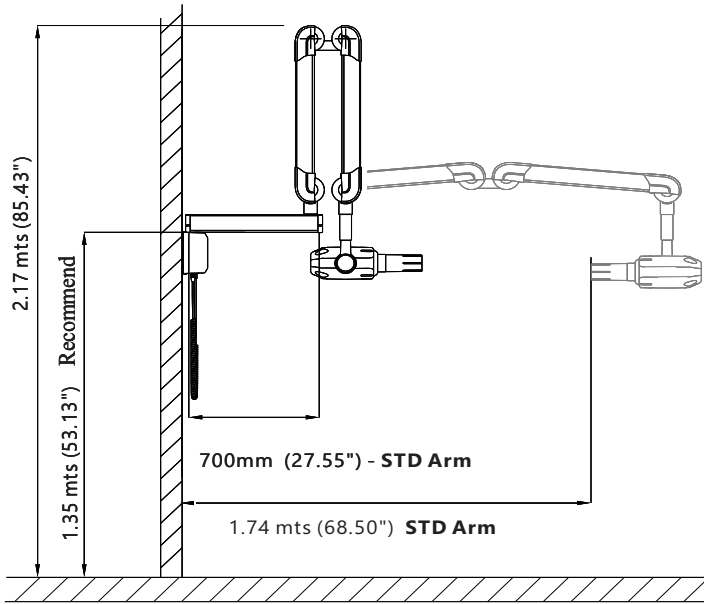


1-800-346-9729 www.VetXray.com Joe@VetXray.com

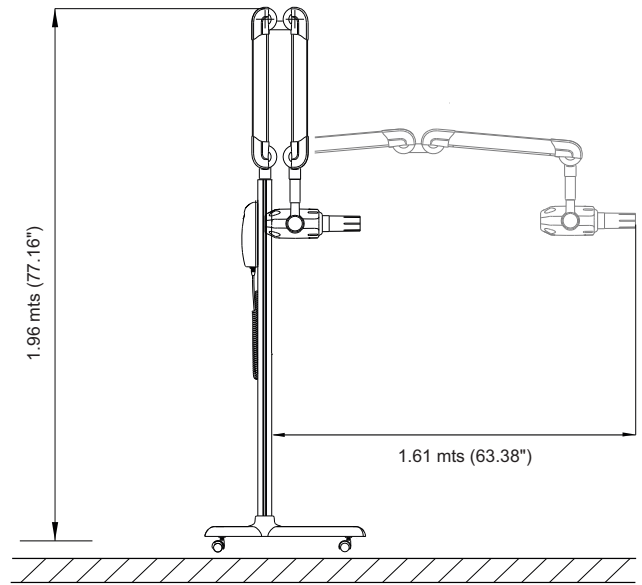
2325 E. Saint Charles St. Rapid City, SD 57703

General Specifications

Wall Mounted model



Mobile model



Important Information about Installation

The Z70 Wall mounted model is prepared to be installed in a "Single Stud" (4x4), "Double Stud" (16" - Wall plate included) and Block Wall. For "Passthrough" installation requires a minimum width of 14" (template with details available upon request). Push Button switch and Remote Control are available as options.

Z70Wizard Technical Data

Power input ~(VAC)	120 or 230 VAC
Nominal current	9 A - 4.5 A
Mains frequency	50 / 60 Hz
Maximum power	900 Watts
Tube voltage	70 kVp (± 10 %)
Tube current	8mA
Total filtration	≥1.5 mm Al/Equiv.
Exposure time	0.06 to 2.50 s
Working cycle	1 s / 30s
Focus - SSD	200mm
	60 mm
	<7 mR/h @ 1 m

Z70Wizard Control Panel

